

FRONT LOAD BREAD SLICER **FACE+**

Features

- ◆ Slices up to 300 loaves/hour
- ◆ Designed to Fit Nicely Into the Smallest Working Areas
- ◆ Easily Slices Warm, Freshly Baked Bread Loaves
- ◆ Single or Continuous Loaf Slicing
- ◆ Adjustable Bread Hold Down System Accommodates Various Bread Heights
- ◆ Heavy-Duty Frames & Individual Tensioning Blades
- ◆ Quiet, Trouble Free Operation
- ◆ Large, Accessible Crumb Tray
- ◆ Heavy Duty Castors, Two Locking
- ◆ Standard Slice Thickness include 7/16" (11mm), 1/2" (13mm), & 5/8" (16mm)

Options

- ◆ Custom Slice Sizes from 3/8" (9mm) to 1" (25mm)
- ◆ ISC System for the regulation of pressure on the bread pusher
- ◆ High Performance Bag Blowing System



Compact and Easy to Use

The **FACE+** Front Load Bread Slicer is a top choice for retail bakers everywhere. Clean lines and a compact layout makes the redesigned **FACE+** a very special buy. It's easy to use with an increased sturdiness and noise reducing construction for nearly silent operation. The **FACE+** comes standard with ISC - an on-going automatic management system that slices your bread based on its consistency.



Technical Data

FRONT LOAD BREAD SLICER **FACE+**

FACE +	
FEATURES	
Max. Loaf Dim. (L x W x H) (in inches)	17.5 x 12.5 x 6
Power Output (in kW)	0.49
Net Weight (in Lbs.)	340
CHOICE OF	
Slice Thickness (in inches)	7/16" to 5/8"
Loaf Height	Low, Normal, High
Type of Motor 400/230V	single or three-phases
OPTION	
Height raised by 1 1/2"	•
Pressing plate pressure selector	•



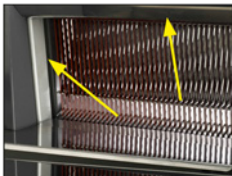
A selector (available as an option) allows you to choose the pressure of the push plate when cutting.

ISC® System



Tilt the front cover open and you will discover a clever removable crumb collector with a large capacity.

With its perfect height, the tray can be emptied quickly and easily.



We have given particular attention to the safety aspect of our machines to ensure that we are in compliance with US standards.

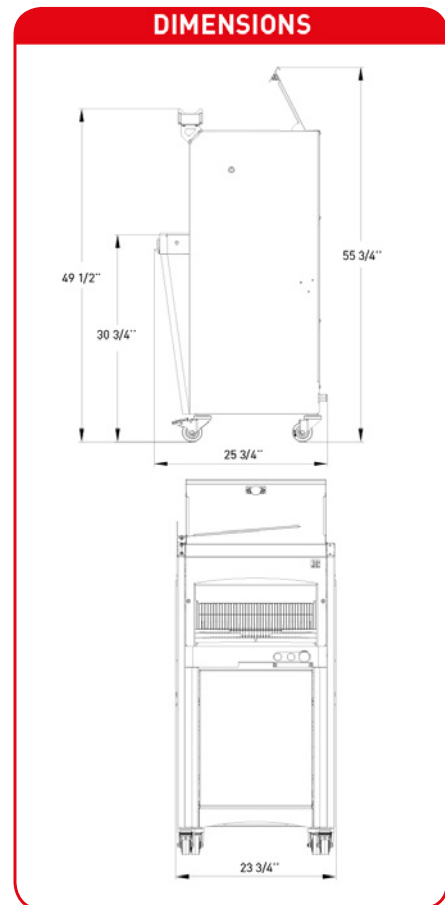
This includes external protection from moving parts.



Side protection is designed to avoid any problems inside the bread placement housing.



Front wheels are fitted with a foot-controlled locking system.



LIMITED WARRANTY

This product is warranted to the original purchaser to be free from material and workmanship defects. This warranty extends for a period of one (1) year from the date of purchase on parts and labor and 90 days on electrical components. For additional information or if you have any questions, please do not hesitate to contact us toll free at 1-800-878-4070.

Please note, specifications are subject to change without notice as we continually work to improve our equipment.