



FACE

Features

- ◆ Designed to Fit Nicely Into the Smallest Working Areas
- ◆ Easily Slices Warm, Freshly Baked Bread Loaves
- ◆ Single or Continuous Loaf Slicing
- ◆ Adjustable Bread Hold Down System Accommodates Various Bread Heights
- ◆ Heavy-Duty Frames & Individual Tensioning Blades
- ◆ Quiet, Trouble Free Operation
- ◆ Large Crumb Tray
- ◆ Supplied with Top Mounted Bagging Spade
- ◆ Heavy Duty Castors, Two Locking
- ◆ Slice Thickness up to 5/8"

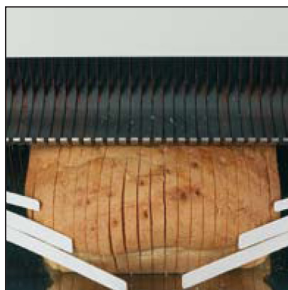
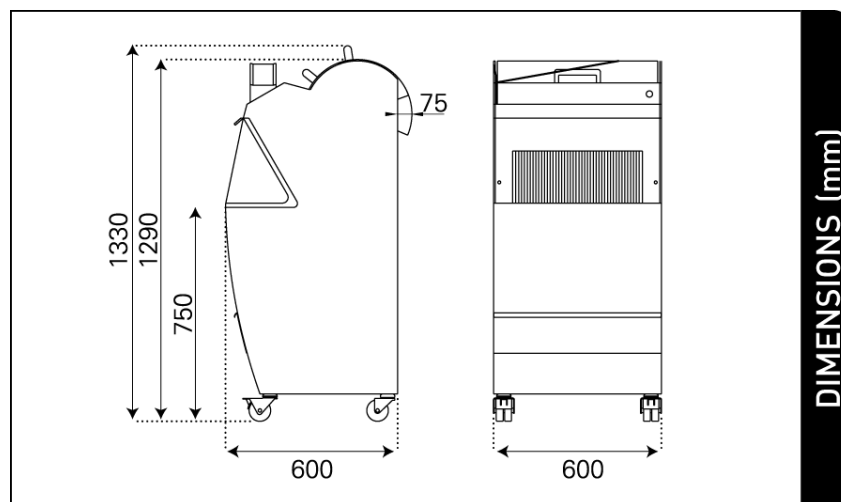


Compact and Easy to Use

The FACE Front Load Bread Slicer is a top choice for retail bakers everywhere. This elegant, genuinely compact machine will fit into your counter space as easily as an appliance slips into a fitted kitchen unit. The FACE comes standard with ISC - an on-going automatic management system that slices your bread based on its consistency.

	FACE 450	FACE 450M
FEATURES		
Max. Loaf Dim. (L x W x H) (in inches)	17.3 x 12.6 x 6.3	17.3 x 12.2 x 6.3
Power Output (in kW)	0.55	1.1
Net Weight (in Lbs.)	374	396
CHOICE OF		
Slice Thickness (in inches)	0.31 to 0.63	0.35 to 0.43
Loaf Height	Low, Normal, High	Normal
Type of Motor 110/240V	single or three-phases	three-phases
OPTION		
Lubrication +		•
Bag Opening System	•	•

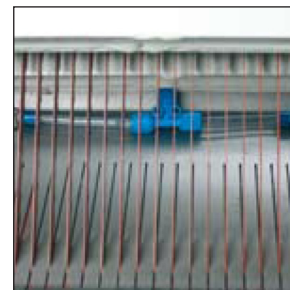
NOTE: Specifications are subject to revision and confirmation.



The Face can easily slice almost any kind of bread. Once cut the slices are held together by the flaps.



The Face is a genuine front load slicer. The operator loads and retrieves the bread from the same position.



The 'M' version of the Face is fitted with a lubrication system, meeting the most demanding requirements.