



**EMPIRE**  
BAKERY EQUIPMENT

# Table Top Bread Slicer

## PICO/PICOMATIC

### Features

- ◆ Attractive, User-Friendly Design
- ◆ Easily Handles Large Round Loaves
- ◆ Soundproof Body in Technopolymer materials
- ◆ Compact Design for Small Spaces
- ◆ Available in Manual and Automatic Models
- ◆ Available in 6 colors: Black, White, Red, Ivory, Silver, and Brushed Steel



### Full-Sized Results in a Compact Design

The PICO and PICOMATIC are true little giants! Featuring efficient design and sturdy construction, they can handle large round loaves of bread with ease. They are so compact that they'll fit easily in even the tightest space. The user-friendliness, slicing quality and ergonomic design of this table top bread slicer will no doubt win you over!

	PICO 450	PICO 450M	PICOMATIC 450	PICOMATIC 450M
<b>FEATURES</b>				
Max. Loaf Dim. (L x W x H) (in inches)	17.3 x 11.8 x 7.1	17.3 x 11.4 x 7.1	17.3 x 11.8 x 7.1	17.3 x 11.4 x 7.1
Power Output (in kW)	0.55	1.5	0.55	1.1
Net Weight (in Lbs.)	231	253	231	253
<b>CHOICE OF</b>				
Slice Thickness (in mm)	0.31 to 0.63	0.35 to 0.43	0.31 to 0.63	0.35 x 0.43
Loaf Height	Low, Normal, High	Normal	Low, Normal, High	Normal
Type of Motor 110/240V	single or three-phases	three-phases	single or three-phases	three-phases
<b>OPTION</b>				
Base with casters (24.4 inches)	•	•	•	•
Safety Lid	•	•	•	•

**NOTE:** Specifications are subject to revision and confirmation.



BLACK



WHITE



RED



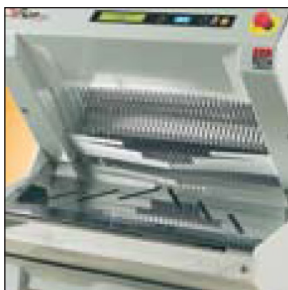
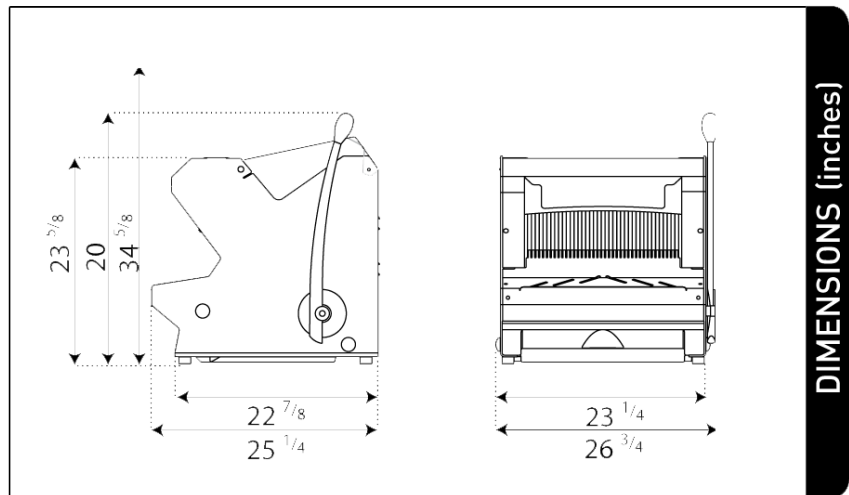
IVORY



BRUSHED STEEL



SILVER



The Pico and Picomatic can easily take large round loaves. Once cut the slices are held by the flaps.



A thermoformed tray made out of a high-strength techno polymer will collect up to 7 liters of crumbs.



When closed, the optional safety lid triggers start-up. It opens automatically when slicing is complete.



Also available, optional base mounted on sturdy casters with an built-in shelf for bag storage.