

REAR LOAD BREAD SLICER **DURO**

Features

- ◆ Slices up to 250 loaves/hour
- ◆ Easily Handles Warm, Freshly Baked Bread Loaves
- ◆ Standard Slice sizes include 7/16" (11mm), 1/2" (13mm) and 5/8" (16mm)
- ◆ Loaf Pusher with Gentle Forward and Reverse Motion
- ◆ Adjustable Bread Hold Down System Accommodates Various Bread Heights
- ◆ Heavy-Duty Frames and Individual Tensioning Blades
- ◆ Quiet, Trouble Free Operation
- ◆ Large Crumb Tray
- ◆ Supplied with Top Mounted Bagging Spade
- ◆ Heavy Duty Castors, Two Locking



Options

- ◆ Custom Slice Sizes from 3/8" (9mm) to 1" (25mm)
- ◆ Dual Slice Technology - One Slicer, Two Slice Thicknesses.
- ◆ Extended Supports increases slicer height for taller users



Traditional Bread Slicing System

The retail baker's first choice for a traditional bread slicer time and time again. The reliability of the semi-automatic Duro will amaze you! Ergonomic design helps make operation a snap, and its sound proof construction makes for very quiet operation. To top it all off, the Duro is available with a dual slice option - one slicer, two slice thicknesses. It's like owning two machines for the price of one!

Technical Data

REAR LOAD BREAD SLICER DURO

	DURO 450	DURO 600
FEATURES		
Max. Loaf Dim. (L x W x H) (in inches)	17.3 x 12.2 x 6.3	23.6 x 12.2 x 6.3
Power Output (in kW)	0.55	0.55
Net Weight (in Lbs.)	330	385
CHOICE OF		
Slice Thickness (in inches)	0.31 to 0.63	0.43 to 0.63
Loaf Height	Low, Normal, High	Low, Normal, High
Type of Motor 110/240V	or three-phases	single or three-phases
OPTION		
Height Raised by 3.1 inches	•	•
Double Slicing Version		•
Stainless Steel Cover	•	•



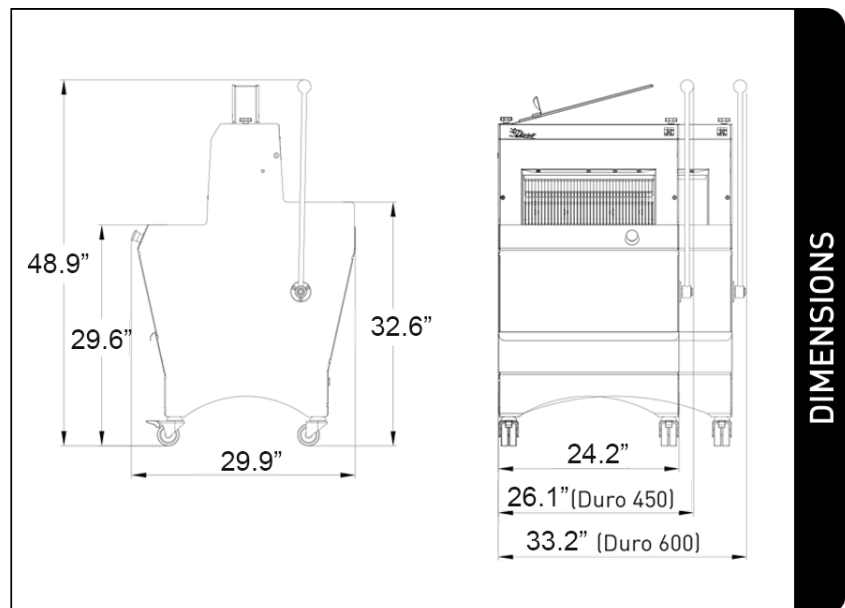
Progressive traction lever
Controls effort more effectively.



Removable crumb collector
Accessible from the front, 18 L capacity.



Bagging attachment
Facilitates bread bagging.



LIMITED WARRANTY

This product is warranted to the original purchaser to be free from material and workmanship defects. This warranty extends for a period of one (1) year from the date of purchase on parts and labor and 90 days on electrical components. For additional information or if you have any questions, please do not hesitate to contact us toll free at 1-800-878-4070.

Please note, specifications are subject to change without notice as we continually work to improve our equipment.



1C Enterprise Place, Hicksville, NY 11801-5356 ♦ Ph: (516) 681-1500 ♦ Fx: (516) 681-1510
1-800-878-4070 ♦ www.empirebake.com ♦ info@empirebake.com